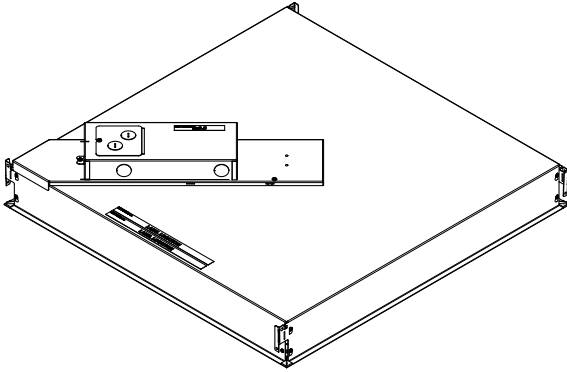


# 2x2 Drywall Installation

## System Overview

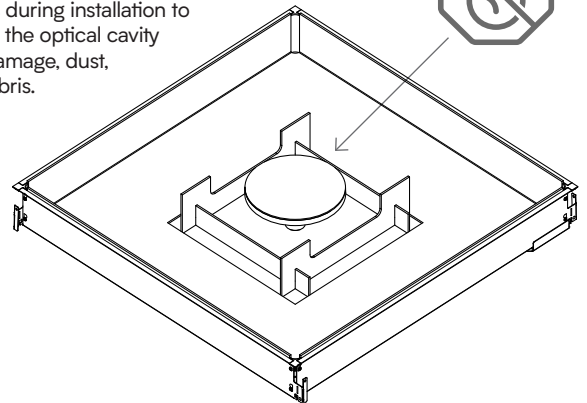
### + As Assembled

Each fixture is modular by design and requires a dedicated power feed.



### + Note

Leave protective inserts on fixtures during installation to protect the optical cavity from damage, dust, and debris.



## Information

### + T-Grid Ceiling

For T-Grid installation, refer to grid installation instructions.

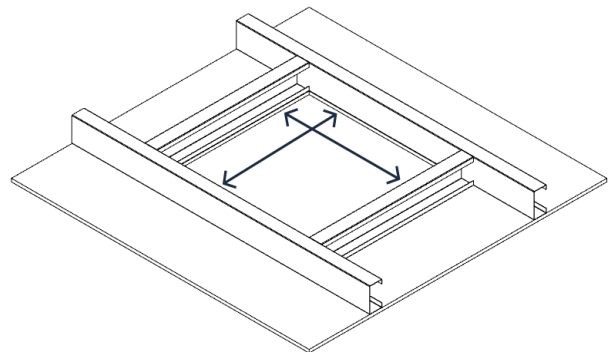
### + Important

- Read all instructions including wiring and mechanical details before the start of the installation.
- Install in accordance with the local and national building and electrical codes.

## Ceiling Preparation

### + Drywall Ceiling

Frame out ceiling opening and cut out the ceiling opening to 24.5 in x 24.5 in.



### Tools and Materials Required

#### Tools:

- Phillips Screw Driver
- Pliers

#### Materials:

- Hanger Wire
- #8 Sheet Metal Screws



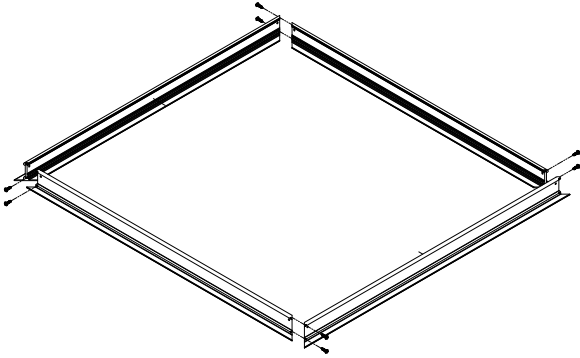
### Safety Warnings

- **Shock hazard!** Fixtures must be connected to building ground via provided ground wire before connecting to main supply power.
- Disconnect or turn off power supply before attempting any installation maintenance or servicing operations.

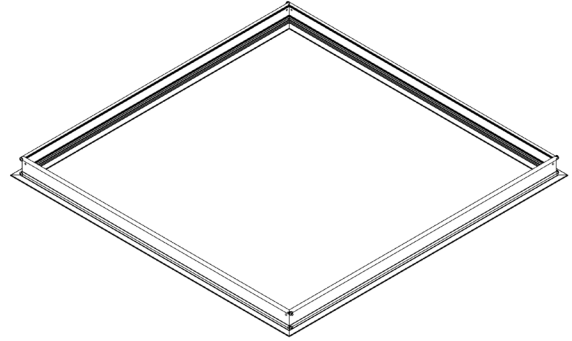
## 2x2 Drywall Installation

### Drywall Flange Kit Overview

#### + Unassembled 2x2 Drywall Kit



#### + Assembled 2x2 Drywall Kit



#### + Features

- Mount recessed grid luminaires in:
  - Drywall
  - Gypsum wallboard (GWB)
  - Other hard lid ceilings
- Aluminium extrusion trim profile
- Trim painted with white finish
- Components for assembly included

#### + Drywall Kit Contents

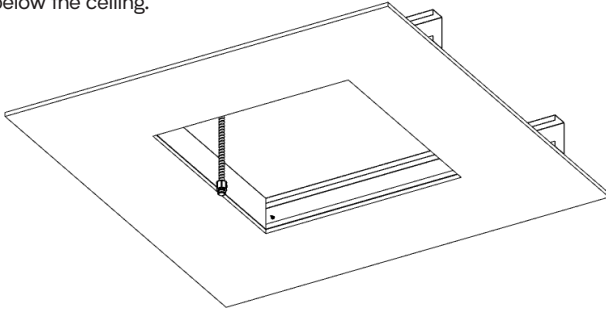
- 4 x 24.35 in (644 mm) aluminum extrusion sticks
- 8 x #6 sheetmetal screw ½" long type AB

## 2x2 Drywall Installation

### Installation Steps

#### 1 Install Power

Install power connection, ensure it drops at least 16 to 18 inches below the ceiling.



#### Installation to Frame: Proceed to 2A

For installation instructions for frame, follow the numbered steps for option A.

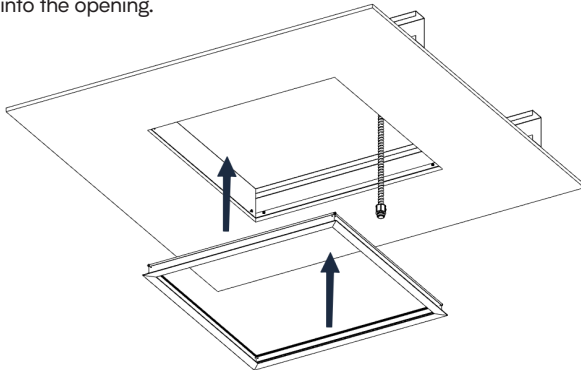


#### Installation to Structure: Proceed to 2B

For installation instructions for structure, follow the numbered steps for option B.

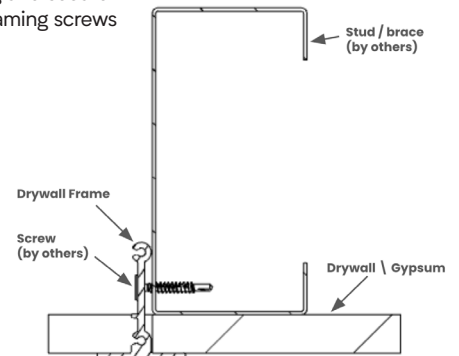
#### 2A Raise Assembled Kit

Finish ceiling and assemble drywall kit. Then raise the assembled drywall kit into the opening.



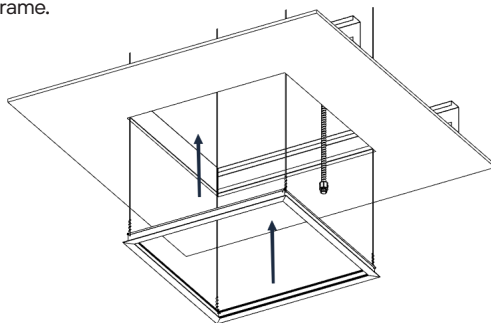
#### 3A Secure to Frame

Seat assembled kit flush to the ceiling and secure with eight framing screws to structure.



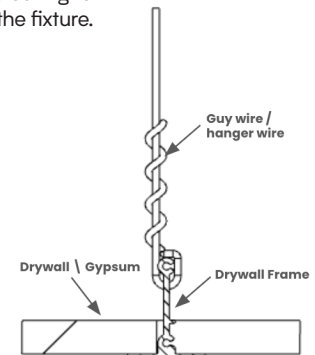
#### 2B Raise Assembled Kit

Finish ceiling and assemble drywall kit. Attach and secure four hanger wires to the structure above the opening. Secure hanger wire to the drywall assembly frame.



#### 3B Secure Frame to Structure

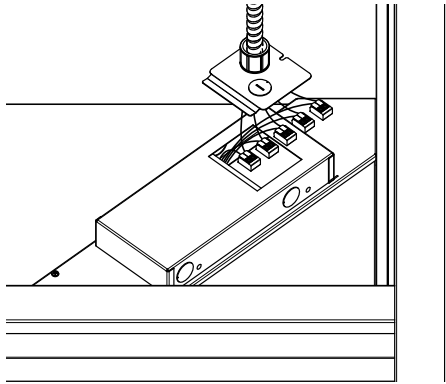
Ensure the frame is seated tight and flush to the ceiling to support the load of the fixture.



## 2x2 Drywall Installation

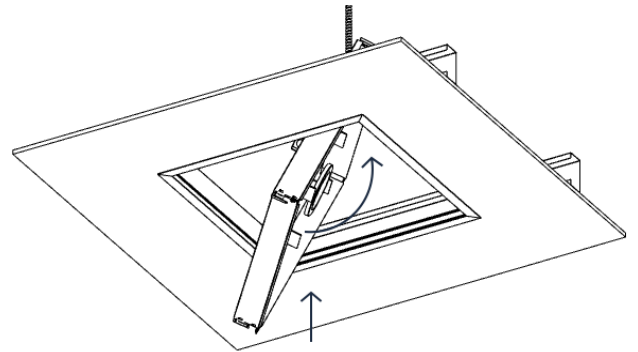
### 4 Make Electrical Connections

Raise the fixture up to the power connection. Support fixture, then connect ground wire first. Connect remaining electrical connections. Secure WAC to the driver box with screw.



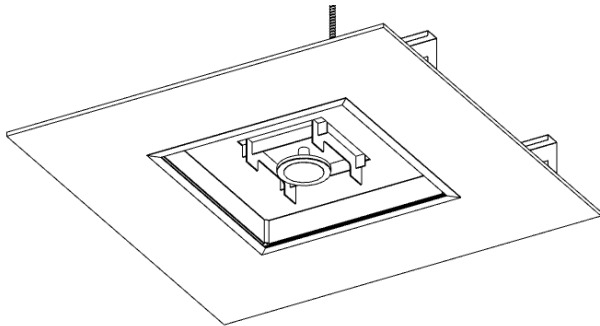
### 5 Raise Fixture into Opening

Raise fixture by angling into position through the opening.



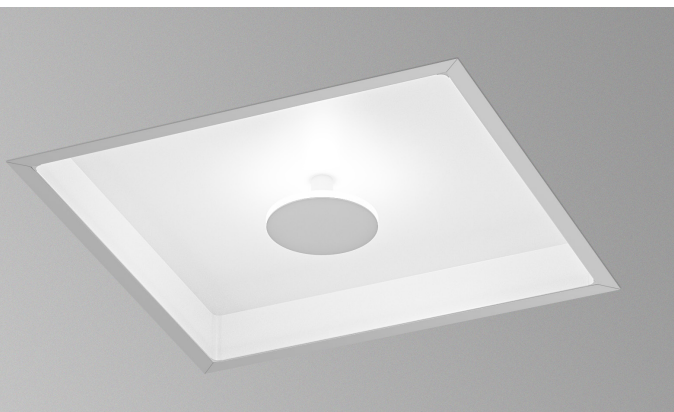
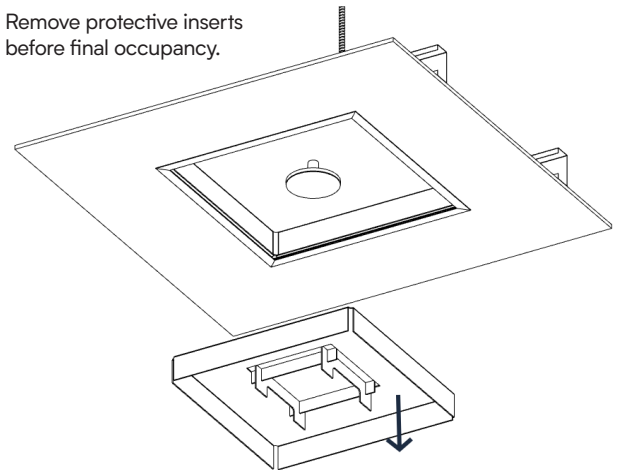
### 6 Lay into Place

Seat fixture to lay flat within the drywall kit.



### 7 Remove Inserts

Remove protective inserts before final occupancy.



**Different thinking, by design.**



**real help.  
real people.  
real answers.**

778.650.1000  
justask@mindsetlighting.com