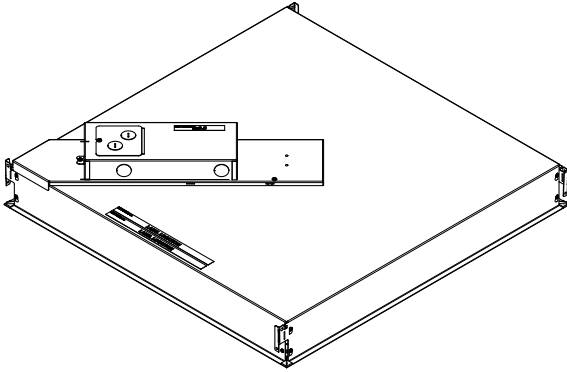


2x2 Grid Installation

System Overview

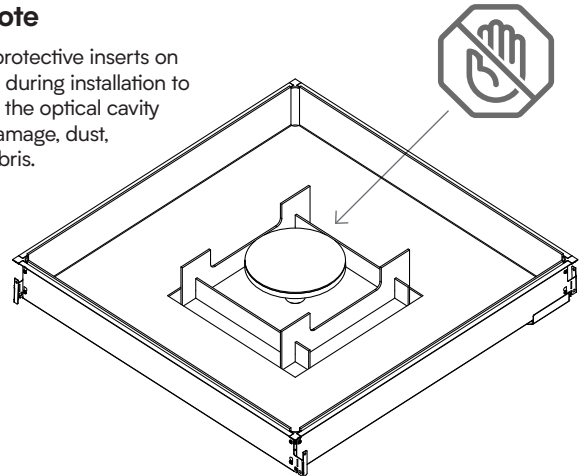
+ As Assembled

Each fixture is modular by design and requires a dedicated power feed.



+ Note

Leave protective inserts on fixtures during installation to protect the optical cavity from damage, dust, and debris.



Information

+ Drywall

For drywall installation, refer to drywall flange kit installation instructions.

+ Important

- Read all instructions including wiring and mechanical details before the start of the installation.
- Install in accordance with the local and national building and electrical codes.

Ceiling Preparation

+ T-Grid Ceiling

Pointform is designed to fit in a 2ft x 2ft nominal grid opening.



Tools and Materials Required

Tools:

- Phillips Screw Driver
- Pliers

Materials:

- Hanger Wire
- #8 Sheet Metal Screws



Safety Warnings

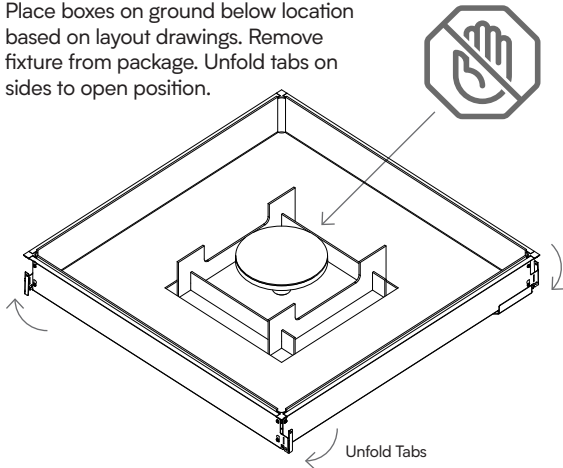
- **Shock hazard!** Fixtures must be connected to building ground via provided ground wire before connecting to main supply power.
- Disconnect or turn off power supply before attempting any installation maintenance or servicing operations.

2x2 Grid Installation

Installation Steps

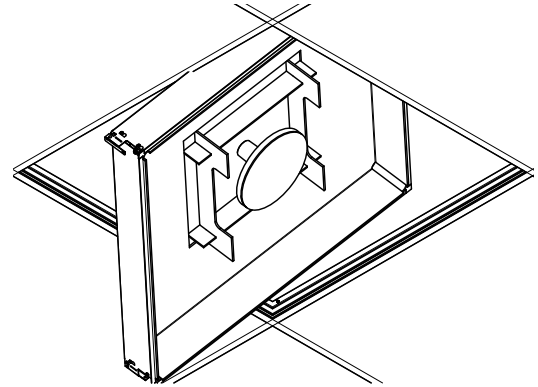
1 Arrange Boxes

Place boxes on ground below location based on layout drawings. Remove fixture from package. Unfold tabs on sides to open position.



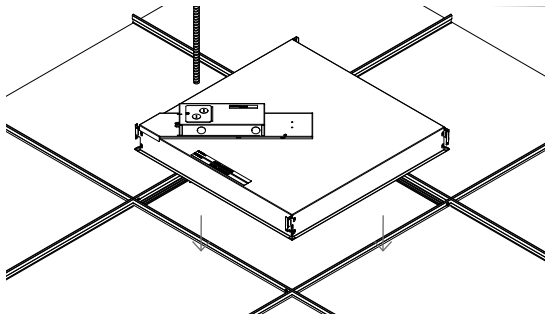
2 Raise Fixtures

Raise fixture up into the 2x2 opening into the grid ceiling.



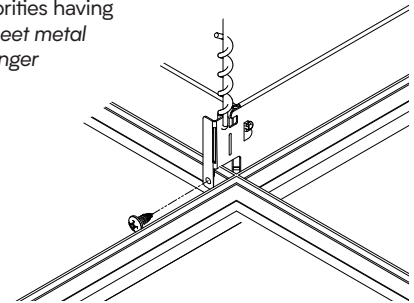
3 Lower into Place

Once above the plenum rotate flush and lower into place. Align tabs over the grid.



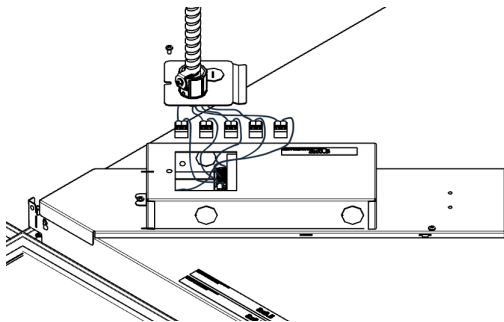
4 Fasten in Place

Fold tab over and fasten with #8 x 1/4" sheet metal screws. Tie off to structure with hanger wires, as per building code and local authorities having jurisdiction. (*sheet metal screws and hanger wire by others*)



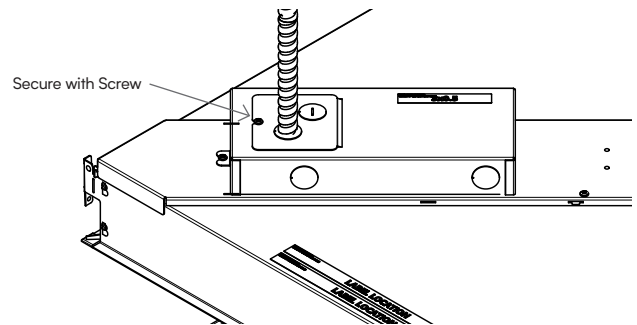
5 Electrical Connections

Important: Connect ground wire first. Connect power to WAC and complete electrical connections. (*2 Lever WAGOs provided*)



6 Secure WAC

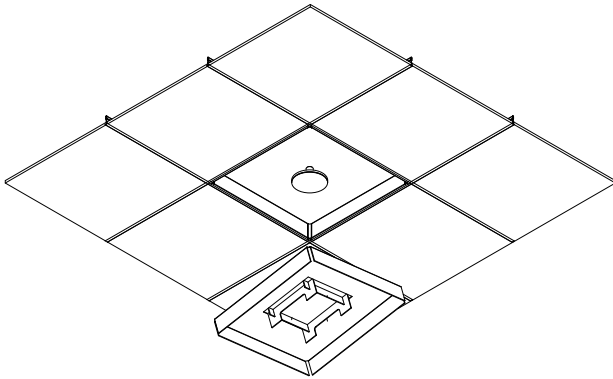
Safely feed connected wires back into the driver cavity. Secure WAC with screw.



2x2 Grid Installation

7 Remove Insert

Remove protective inserts before final occupancy.



Different thinking, by design.



**real help.
real people.
real answers.**

778.650.1000
justask@mindsetlighting.com