

Mindset Lighting Inc.

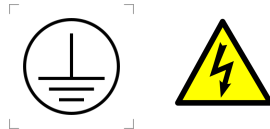
Installation Instruction – Drywall Flange Kit

Important: Read all instructions including wiring and mechanical details before the start of the installation.

Important: Install in accordance with the local and national building and electrical codes.

WARNINGS:

Shock hazard! Fixtures must be connected to building ground via provided ground wire before connecting to main supply power.



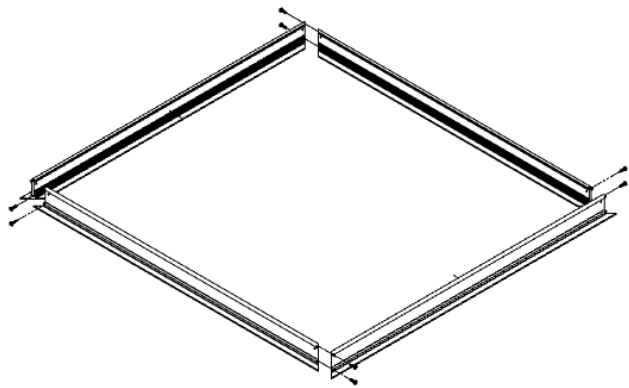
Disconnect or turn off power supply before attempting any installation maintenance or servicing operations.

CEILING PREPARATION

Drywall Kit Contents

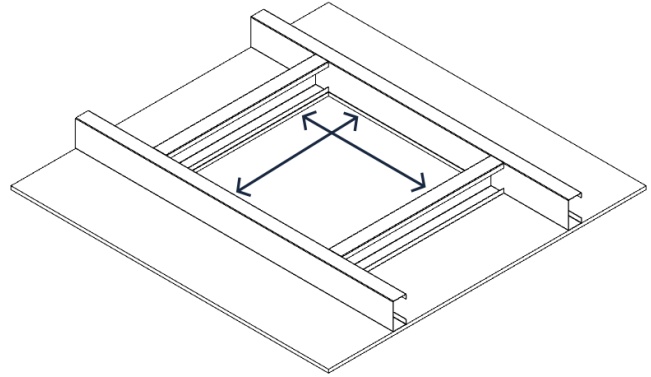
- 4 x 24.35 in (644 mm) extrusion sticks
- 8 x #6 sheetmetal screw 1/2" long type AB

Frame Assembly

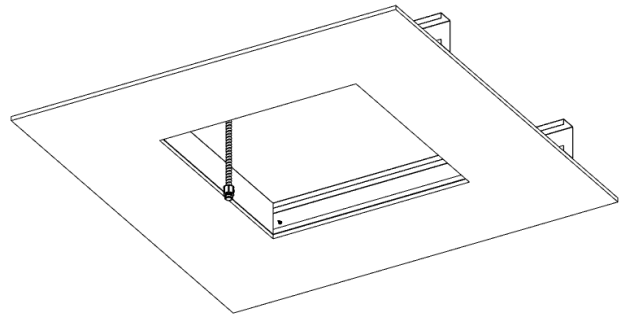


INSTALLATION STEPS

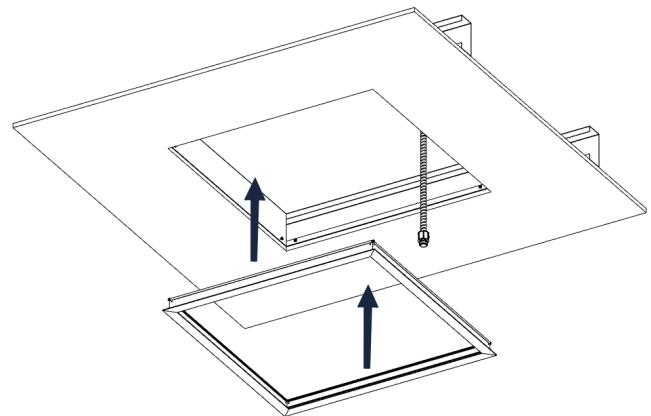
1. Frame out ceiling opening and cut out the ceiling opening to 24.5 in x 24.5 in.

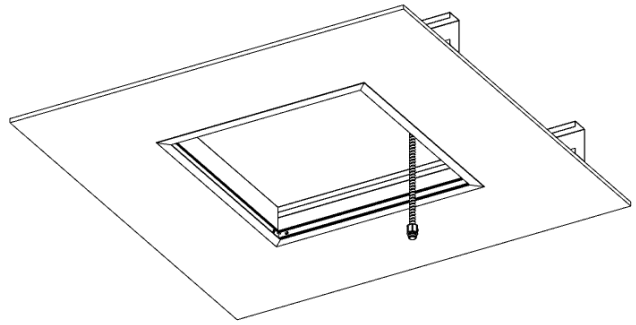
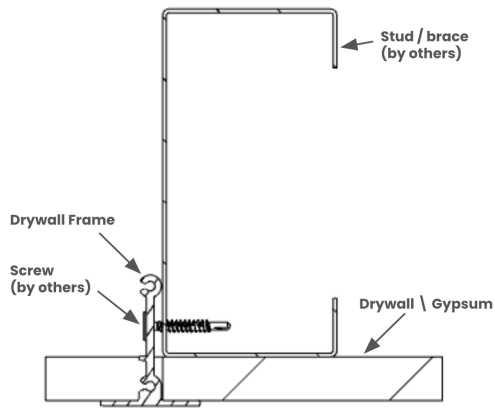


2. Install power connection to ensure it drops at least 16 to 18 inches below the ceiling.

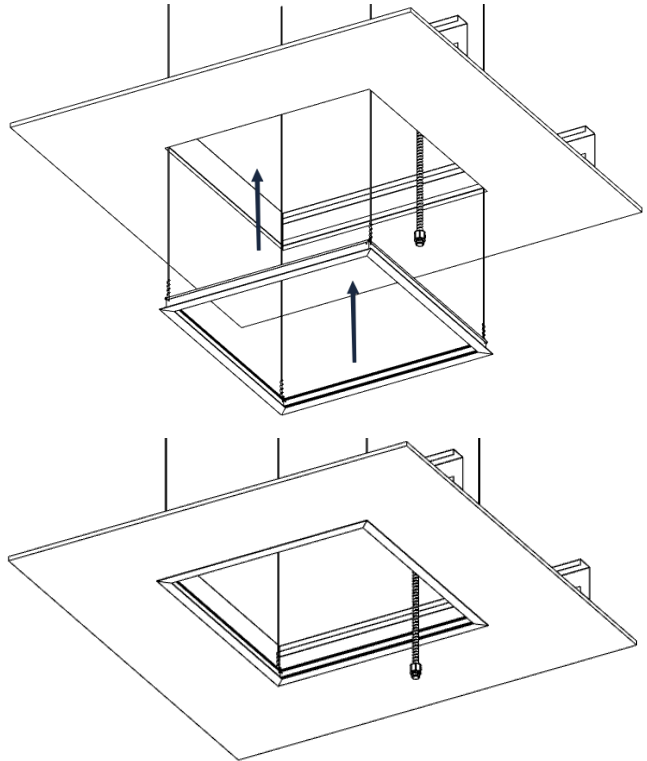
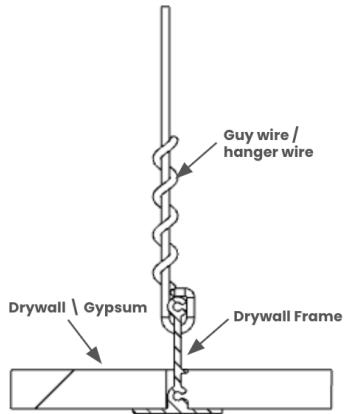


3. Install frame assembly into the ceiling opening. Secure with minimum 8 framing screws (by others).





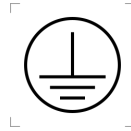
4. If installing drywall frame assembly to structure. Support frame to hold load of fixture by guy wires at each corner (by others). Secure frame tight to ceiling for a flush fit.



Shock hazard!

Fixtures must be connected to building ground via provided ground wire before connecting to main supply power.

Disconnect or turn off power supply before attempting any installation maintenance or servicing operations.

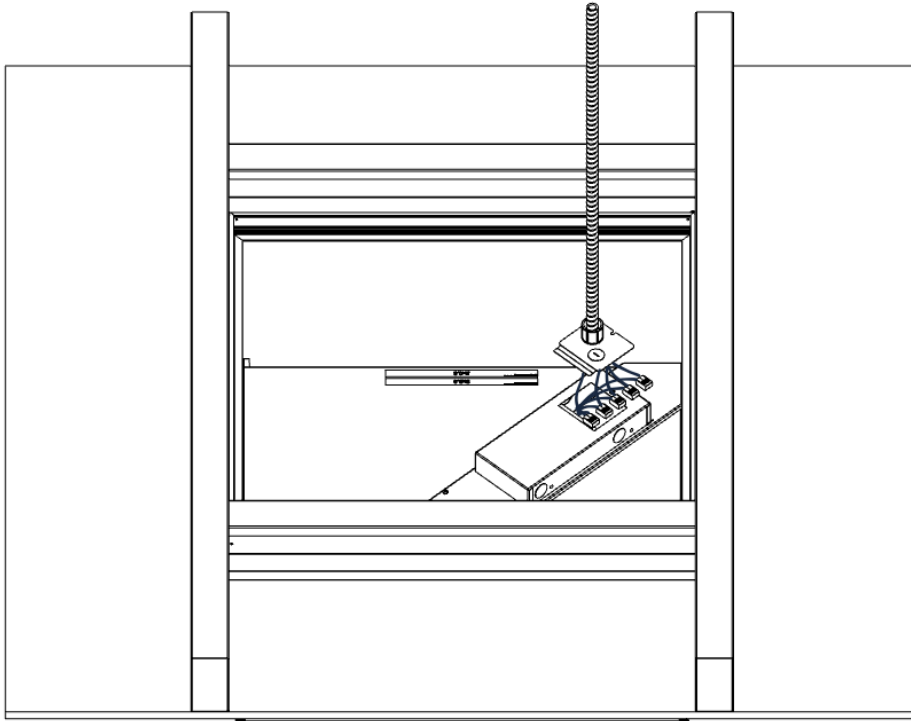


5. Make power connections by raising the fixture up to the power feed. Support fixture and proceed to connect the ground wire first with provided WAGOs. Connect remaining power connections with provided Lever WAGOs. Secure WAC to the driver box.

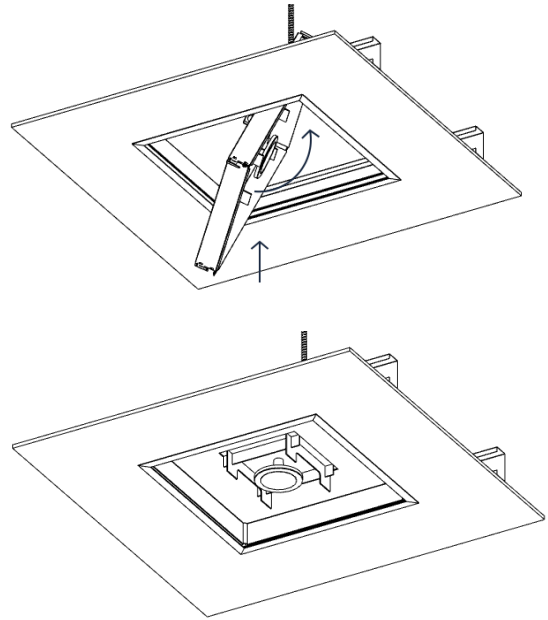
Black to Black (Building Hot)
White to White (Building Neutral)
Green to Green (Building Ground)



Purple to Purple (0-10V +)
Pink to Pink (0-10V -)
Red to Red (Unswitched Hot)*



6. Raise fixture by angling into position through the opening. Turn and lay into place.



7. Remove protective insets before final occupancy.

